

230GHz VLBI

230GHz on KVN

- Date : 2015 September 15, 15:00 – 18:00 KST
- Venue : KVN Yonsei Site
- Participants: 7

AISAA: Matoko Inoue

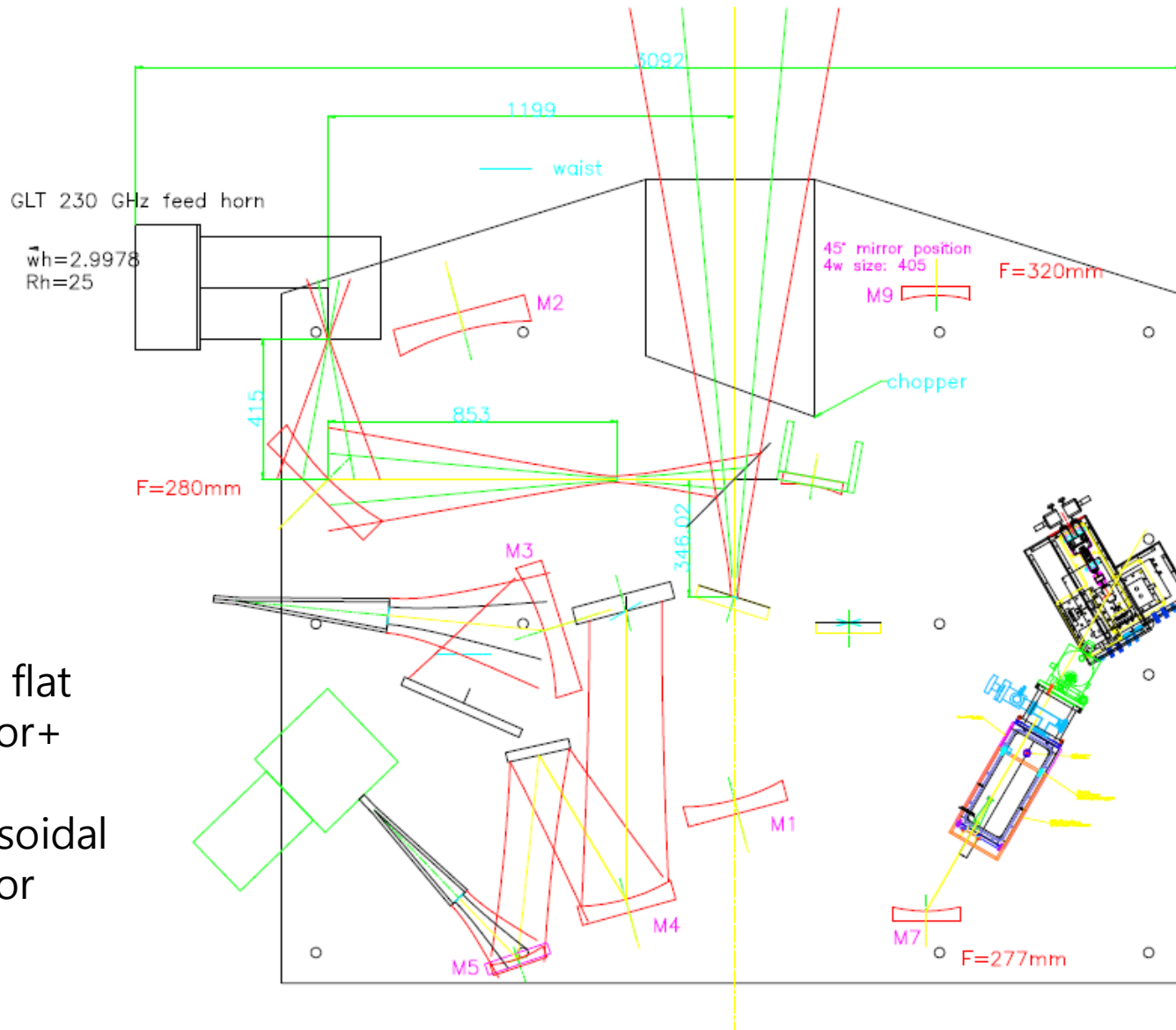
Osaka Pref. Univ. : H. Ogawa

Yamaguchi Univ. : Kenta. Fujisawa

KASI: Do-Heung Je, Jung-Won Lee, Do-Young Byun, Eui-Kyum Lee



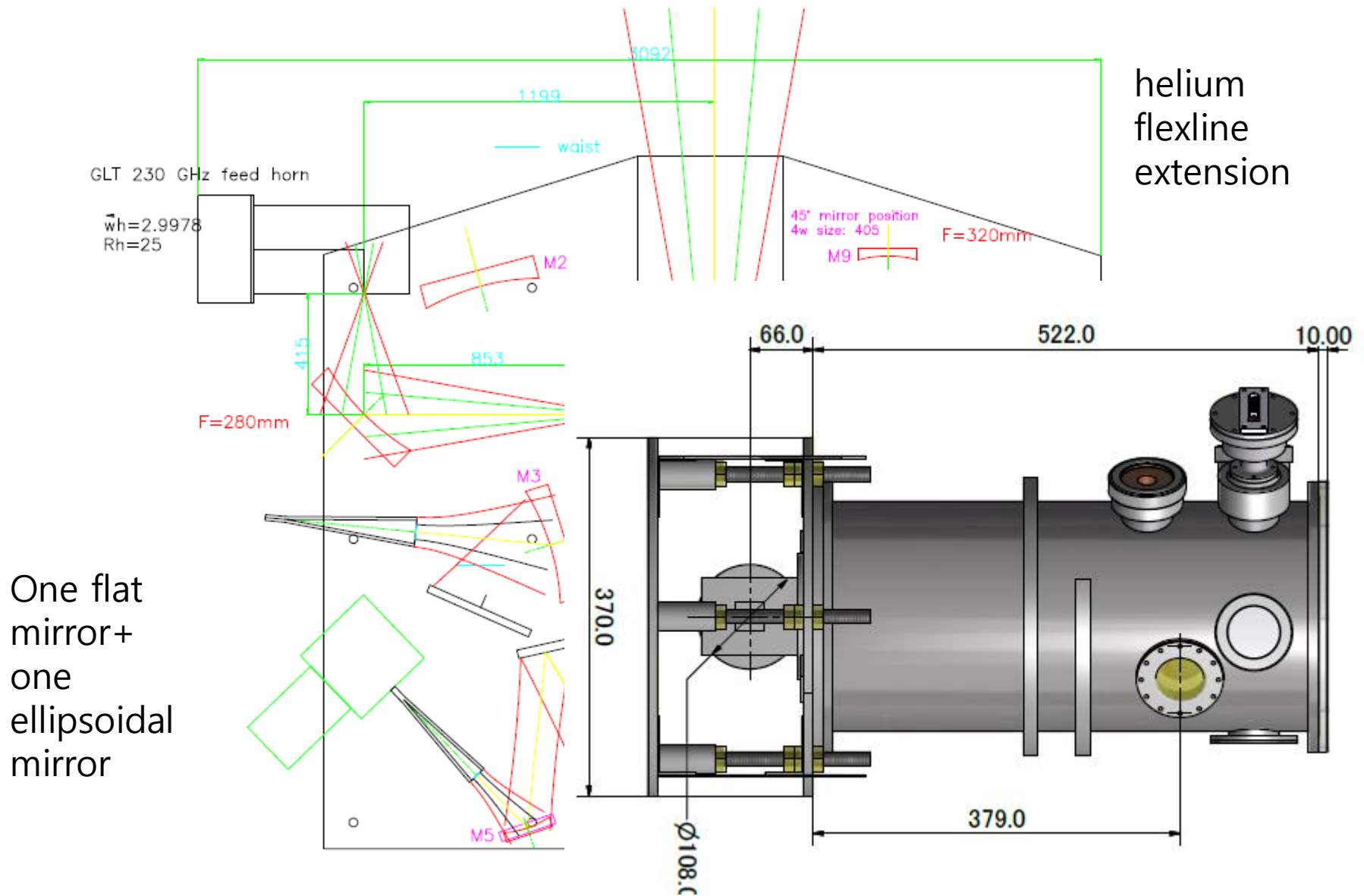
230 GHz cabin optics

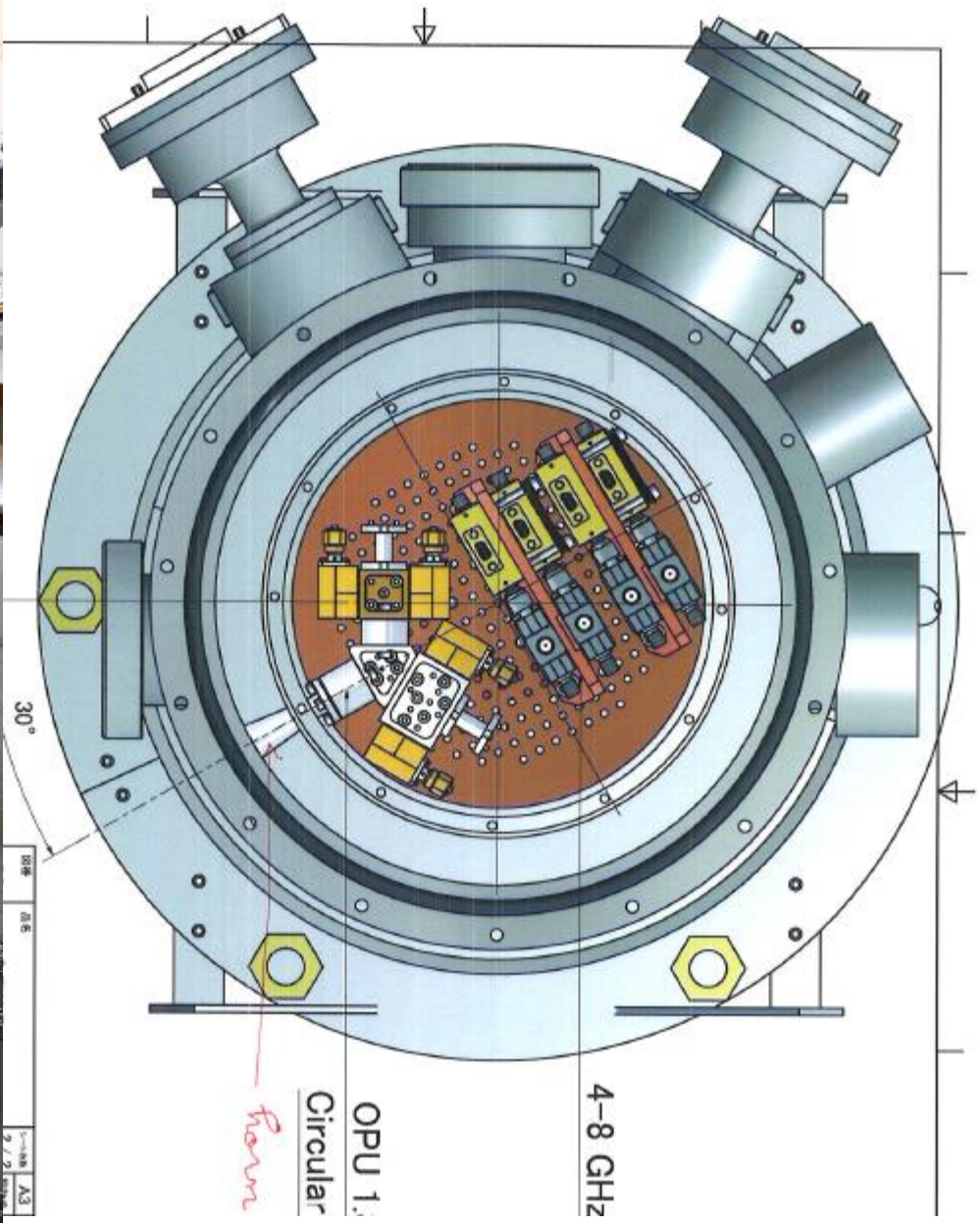


helium
flexline
extension

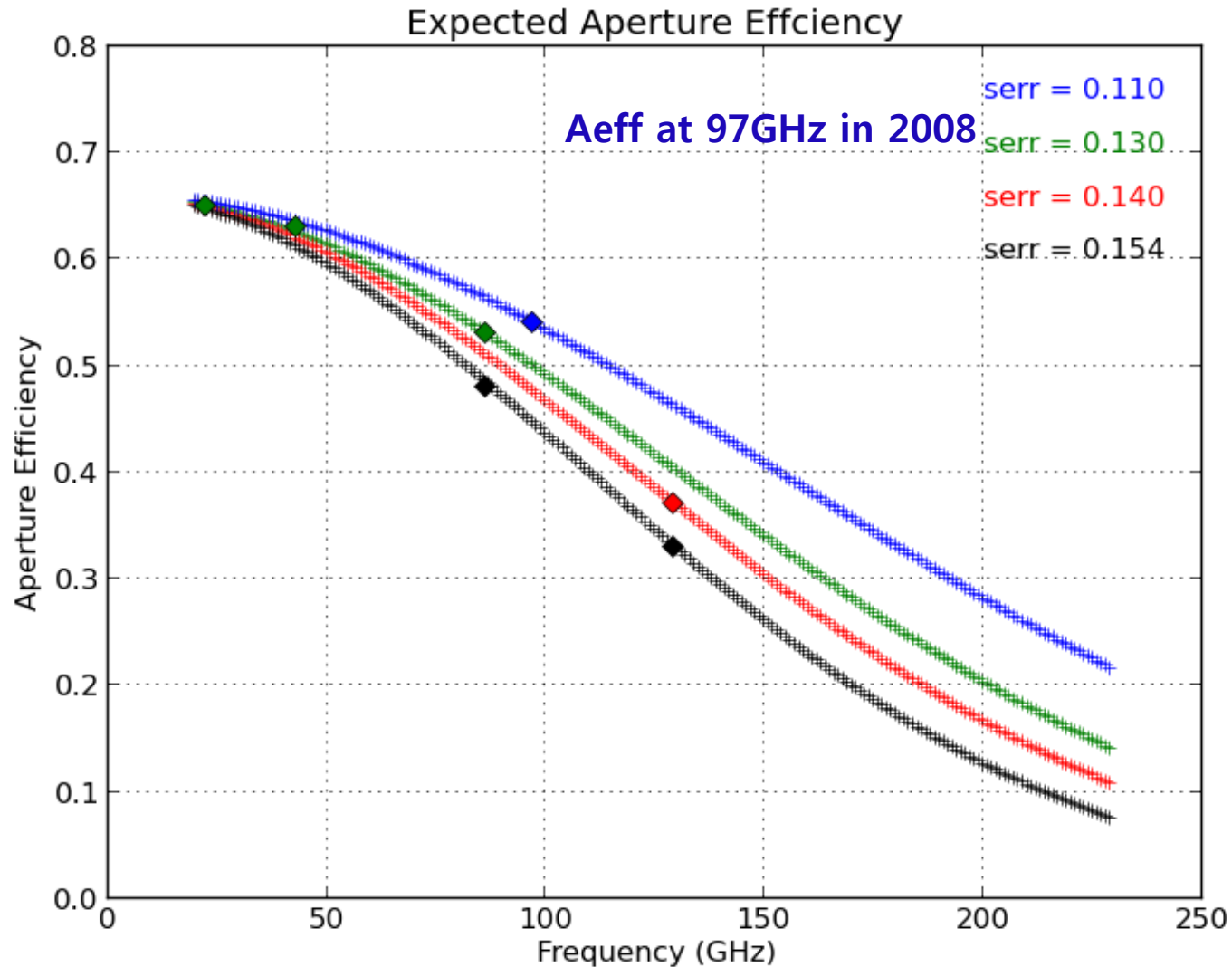
One flat
mirror+
one
ellipsoidal
mirror

230 GHz cabin optics

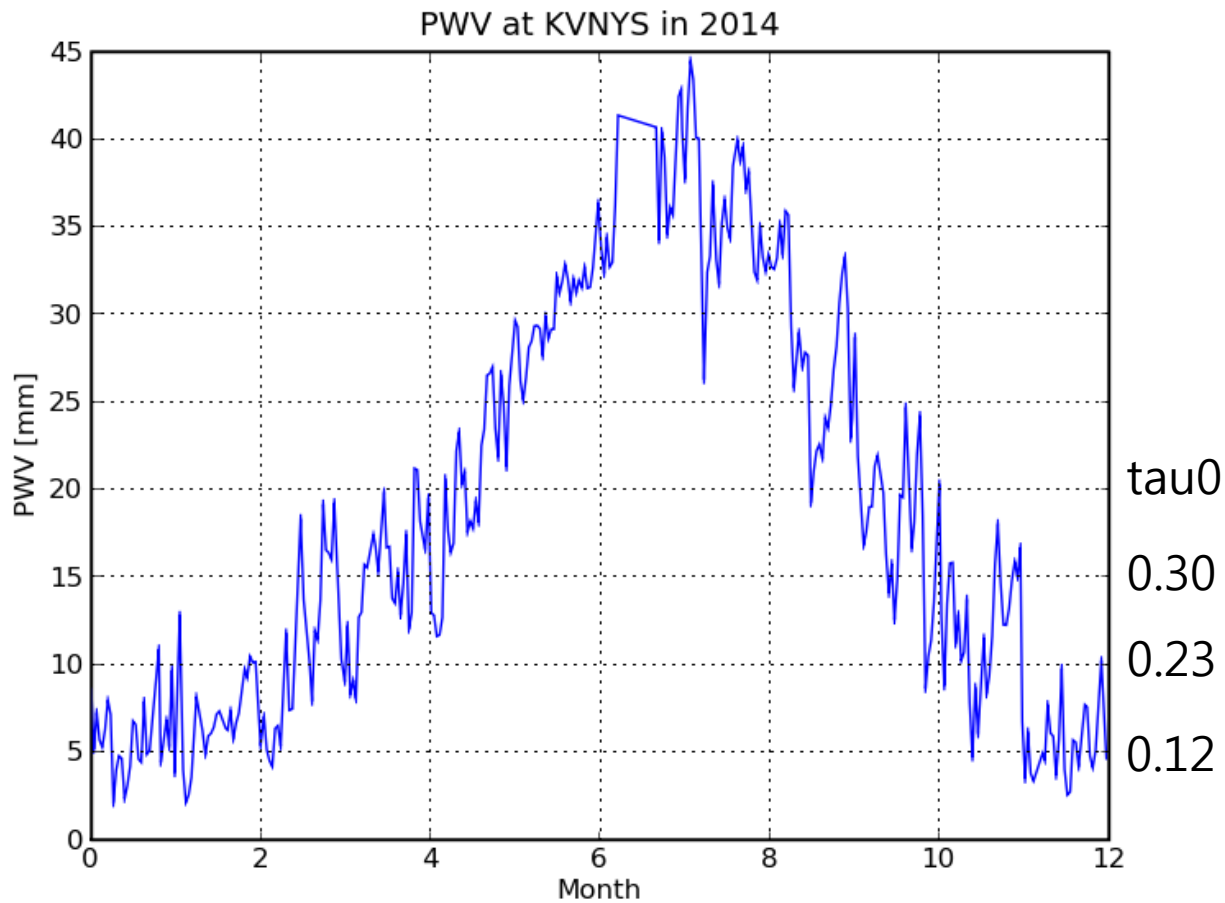




Expected Aperture Efficiency



Weather Condition



SRAO meeting

- Sep 16 at SRAO
 - SNU : Koo, B.-C., Park, Y.-S., Trippe S.
 - NAOJ: Honma, M.
 - Participants of Yonsei meeting
- Status of SRAO
 - 230GHz Rx of SRAO is now working
 - Broken Az motor driver will be replaced soon.
 - SD operation will start from Nov.

Preparation for 230GHz Experiment

- Possible Support from Japan
 - Oven Controlled Crystal Oscillator (OCXO)
 - Wideband Digital Backend (TBD)
- Support from KASI
 - GPS receiver
 - IVP measurement
 - Etc